

SMS AGM 400 Battery

Ultra High Performance AGM



NorthStar Specialty Marine & Stereo Batteries deliver **superior cranking, unrivaled cycling, and minimal maintenance.**

- Pure Lead AGM Technology delivers exceptional CCA ratings and reserve capacity cycling ability
- Quick starting every time
- Cycles over 400 times to 80% depth of discharge
- Faster recharge than conventional batteries
- Proudly made in the USA at our state-of-the-art battery plant
- Housed in advanced plastics for durability, performance and heat resistance
- Advanced AGM construction means no water levels to check or terminals to clean
- Approved as non-hazardous cargo for ground, sea, and air transport
 - DOT 49CFR173.159(d), (i) and (ii)

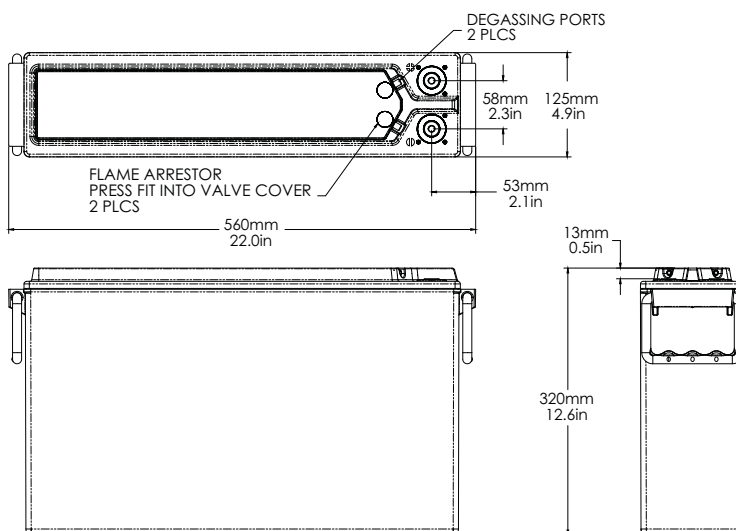


SMS AGM 400 Battery

Nominal Technical Specifications



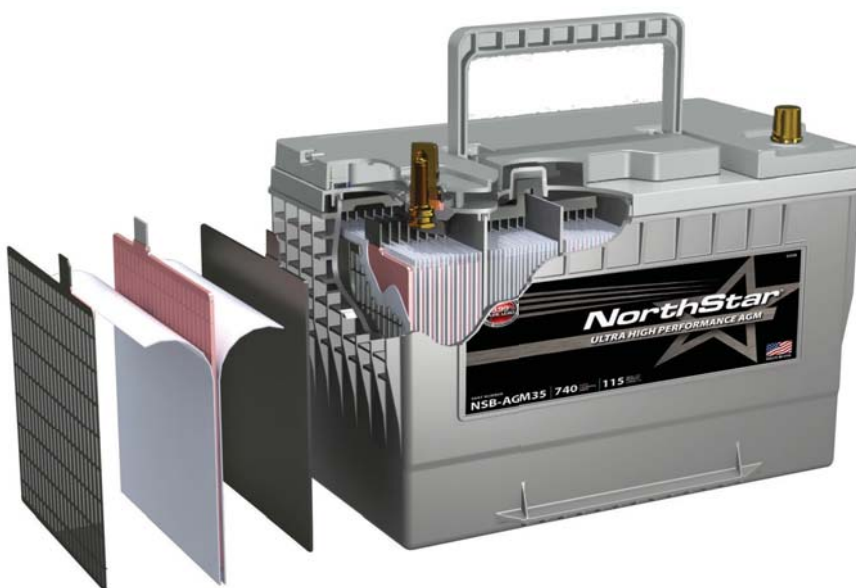
BCI Group Number	Specialty
Height with Terminal	12.6 in
Width	4.9 in
Length with Rib	22.0 in
Weight	128 lbs
Terminal Configuration	Bolt in
Pulse Cranking Amps	2,150 A
CA/MCA Rating at 32°F	1,700 A
Cold Cranking Amps at 0°F	1,400 A
Cold Cranking Amps at -20°F	992 A
Reserve Capacity	400 min
Capacity - 20 Hour Rate	185.8 Ah
Capacity - 10 Hour Rate	176.5 Ah
Internal Resistance	2.7 mΩ
Short Circuit Current	6,000 A
Warranty	2 years full



All NorthStar Batteries are proudly made in the USA using advanced manufacturing processes.



NorthStar batteries use pure lead AGM thin plate technology to deliver exceptional performance and longer lifetime.



NorthStar Americas

NorthStar Battery Company LLC
4000 Continental Way
Springfield, MO, 65803,
United States of America
info@northstarbattery.com
Tel: +1 417 575 8200
Fax: +1 417 575 8250

Netsphere in Thailand

919/431, 36/F, Jewelry Trade Center
Silom Road, Silom Bangrak,
Bangkok 10500 Thailand
sales@netsphere.co.th
Tel: +66 2 630 3368
Fax: +66 2 630 3367

Netsphere in Hongkong

Rm 1203, 12/F, Kwong Sang Hong Centre
No.151-153 Hoi Bun Road
Kwun Tong, Hong Kong
sales@netsphere.com.hk
Tel: +852 2344 3728
Fax: +852 2344 3778

www.netsphere.com.hk

