

NSB 170FT Red Battery®

Long float life at elevated temperatures



Red Star Technology® uses pure lead plates to deliver exceptionally long float life even at elevated temperatures.

- Pure lead AGM technology delivers long float life for telecom applications even at elevated temperatures
- 15 year float life at 20°C (68°F)
- EUROBAT design life definition: Long Life (12+ years)
- High energy density
- Operating temperature range: -40°C to +65°C (-40°F to 149°F)
- State-of-the-art automated manufacturing ensures consistency and reliability
- Advanced 3 stage terminal design to ensure leak-free operation - female M8 brass terminals provide maximum performance
- 2 year shelf life at 25°C (77°F)
- High modulus Polyphenylene Oxide (PPO) plastic materials designed to withstand extended elevated operating temperatures and maintain high battery compression essential for reliable operation
 - Non-halogenated, thermally sealed plastic casing
 - Flame retardant (UL 94 V0) and LOI of at least 28%
- Integral handles and front access terminals ensure ease of installation and maintenance
- Approved as non-hazardous cargo for ground, sea, and air transport - DOT 49CFR173.159(d), (i) and (ii)



NSB 170FT Red Battery®

Nominal Technical Specifications



Electrical

	International Standard 20°C (68°F)	North American Standard 25°C (77°F)
8 hour capacity to 1.75 VPC	171 Ah	174 Ah
10 hour capacity to 1.80 VPC	171 Ah	174 Ah
Float Voltage	2.27 +/- 0.02 VPC	2.27 +/- 0.02 VPC
Nominal Voltage	12 V	
Impedance [1kHz]	2.8 mΩ @ 25°C (77°F)	
Conductance	1,800 S	
Short Circuit Current	6,000 A	

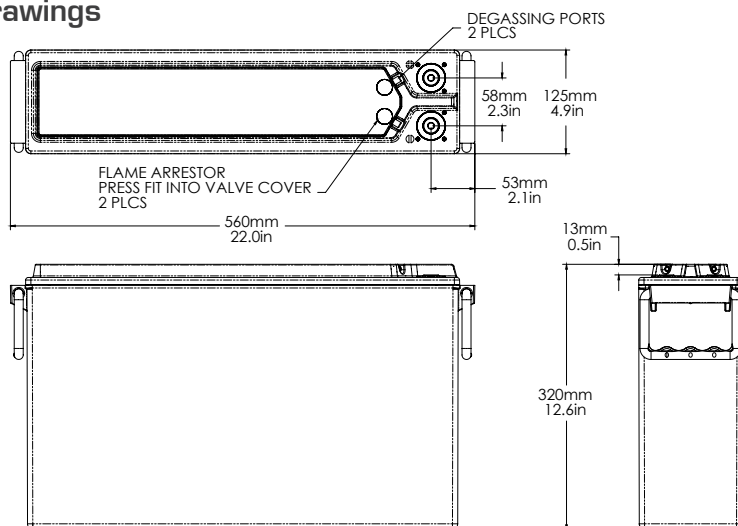
Dimensions

Height	320 mm (12.6 in)	Weight	57 kg (126 lbs)
Width	125 mm (4.9 in)	Terminal	Female M8 x 1.25
Depth	560 mm (22.0 in)	Terminal Torque	8.0 Nm (71 in-lbs)

Ah Capacity Ratings @ 25°C (77°F)

Capacity Discharge / hours	1	2	5	8	10
Capacity @ 25°C / Ah	131	150	169	174	174
End of Discharge / VPC	1.70	1.75	1.75	1.75	1.80

Drawings



All NorthStar batteries are compliant with: Telcordia SR4228, IEC 60896; Bellcore GR-63-Core, Issue 1; British, German, and Russian telecom standards; UL approved. NorthStar is registered to ISO 9001 and ISO 14001.

NorthStar Americas

NorthStar Battery Company LLC
4000 Continental Way
Springfield, MO, 65803,
United States of America
info@northstarbattery.com
Tel: +1 417 575 8200
Fax: +1 417 575 8250

Netsphere in Thailand

919/431, 36/F, Jewelry Trade Center
Silom Road, Silom Bangrak,
Bangkok 10500 Thailand
sales@netsphere.co.th
Tel: +66 2 630 3368
Fax: +66 2 630 3367

Netsphere in Hongkong

Rm 1203, 12/F, Kwong Sang Hong Centre
No.151-153 Hoi Bun Road
Kwun Tong, Hong Kong
sales@netsphere.com.hk
Tel: +852 2344 3728
Fax: +852 2344 3778